

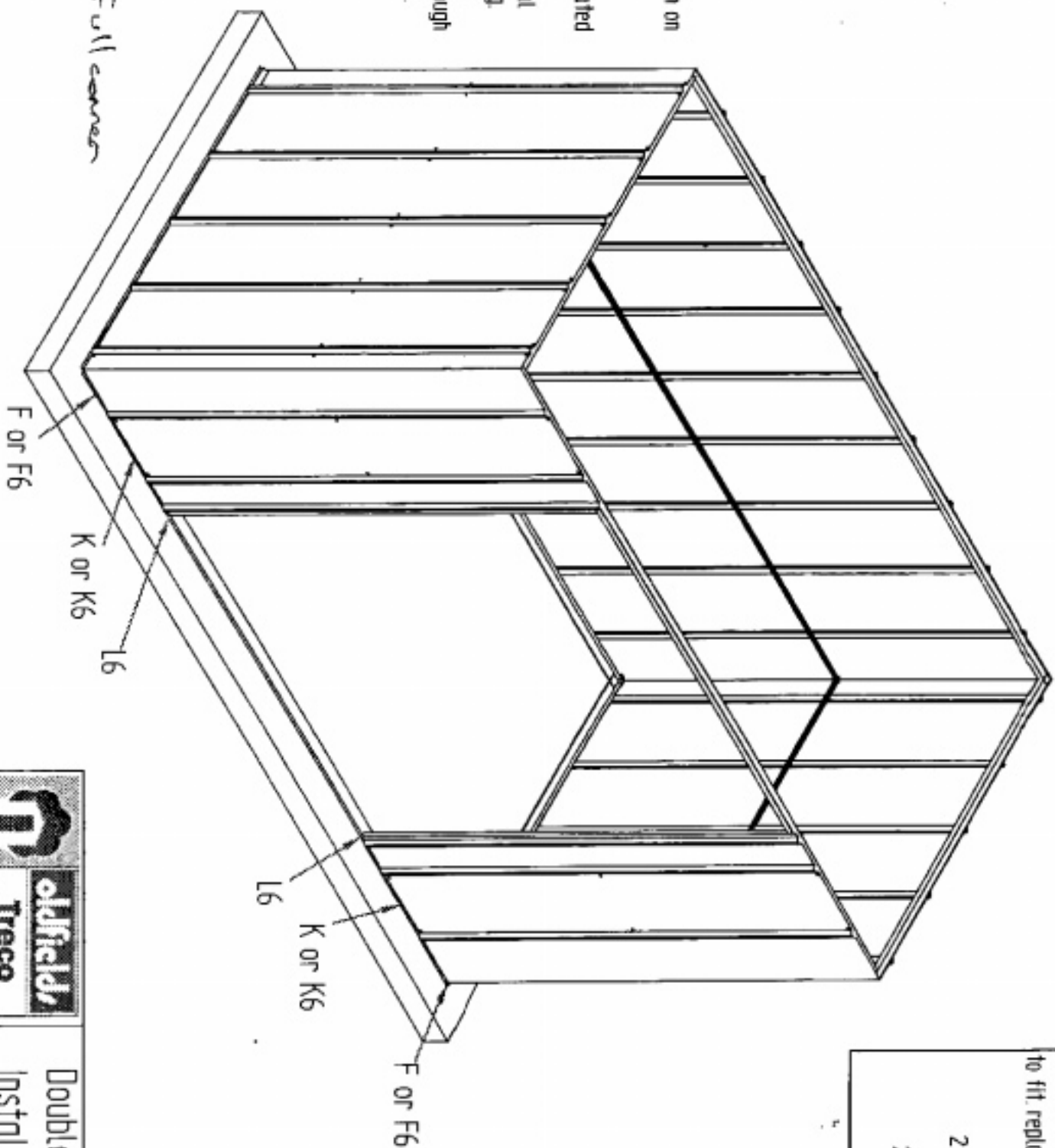
## STEP 1

Assemble the panels as shown on the diagram.

When locating, L6 can be located through the use of the first existing holes on the internal base, midwall and top bracing. The other holes on the panel must be manually drilled through the bracing by the assembler.

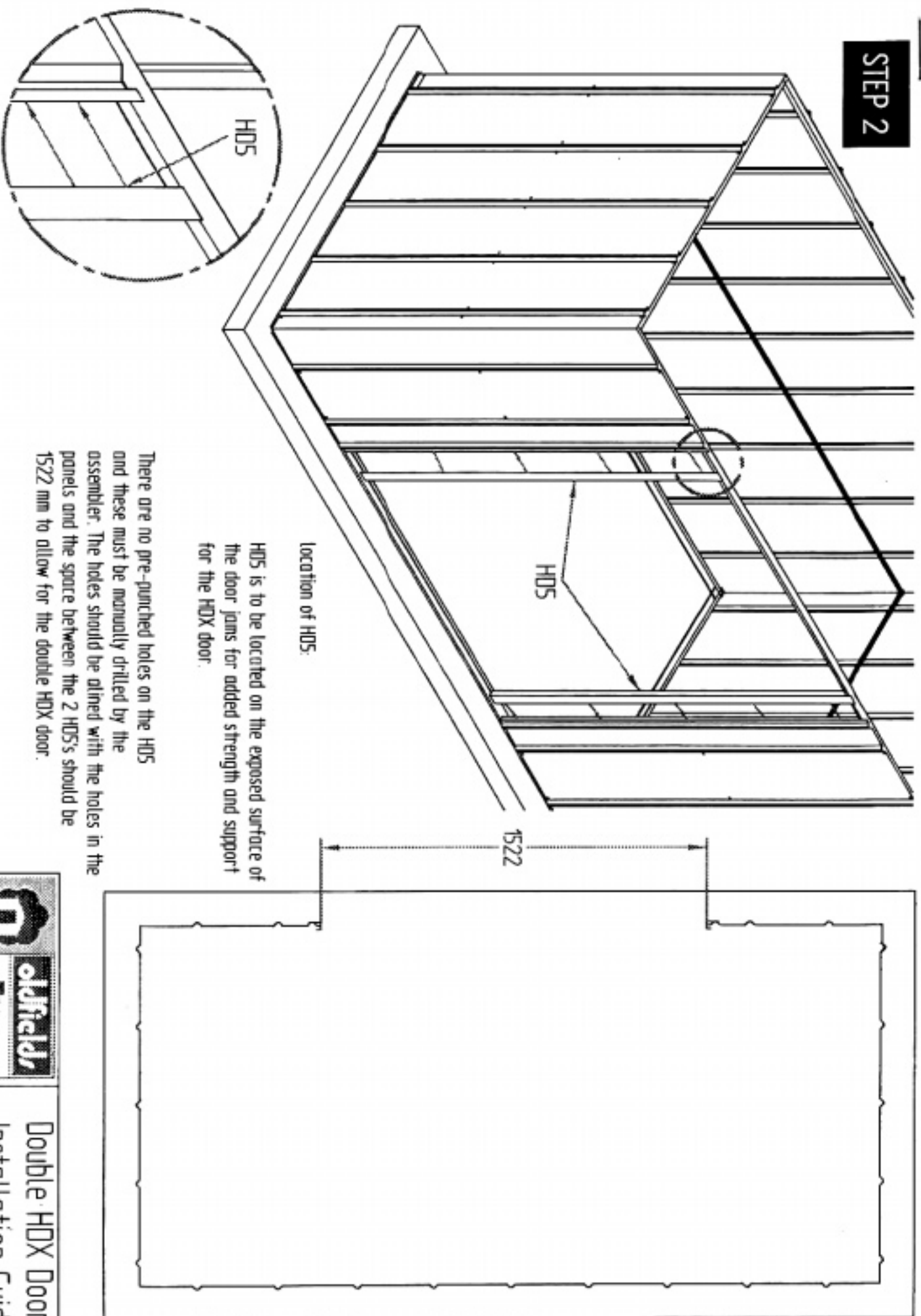
~~WFS~~ x 4  
13/16" x 9

Pack with Full corner



Double HDX Door  
Installation Guide

## STEP 2



location of HD5:

HD5 is to be located on the exposed surface of the door jams for added strength and support for the HDX door.

There are no pre-punched holes on the HD5 and these must be manually drilled by the assembler. The holes should be aligned with the holes in the panels and the space between the 2 HD5's should be 1522 mm to allow for the double HDX door.



**oldfield's**  
Treco

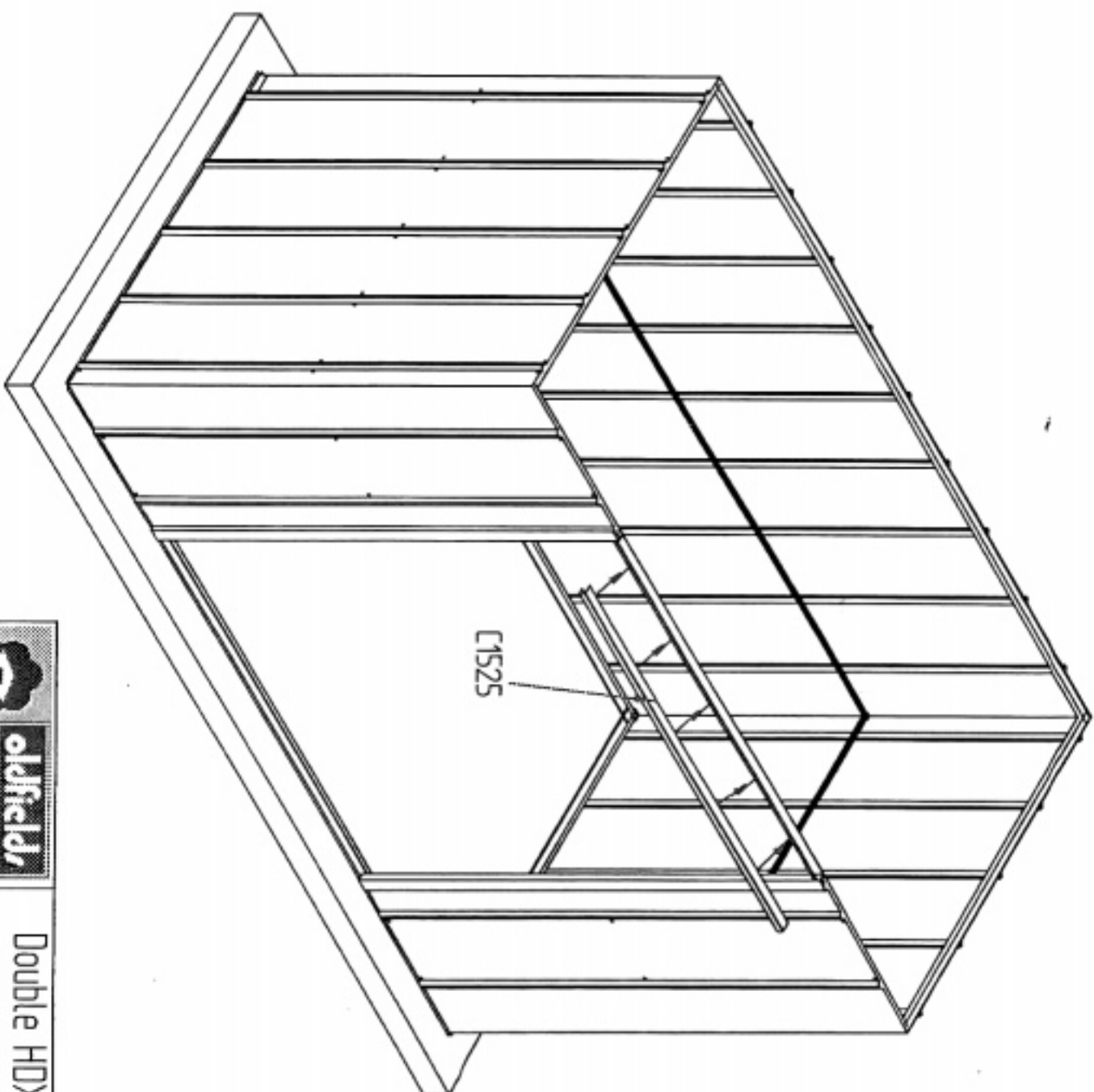
Double HDX Door  
Installation Guide

## STEP 3

Location of the C1525 brace:

this brace is used for added strength to the top brace and for aesthetic purposes to cover the top brace join.

There are no pre-punched holes on the C1525 and these must be manually drilled by the assembler. The brace should be located evenly in the HD door opening. The holes should be drilled through the existing holes on the gables and into the top brace.



**oldfield**  
Treco

Double HDX Door  
Installation Guide

## STEP 4

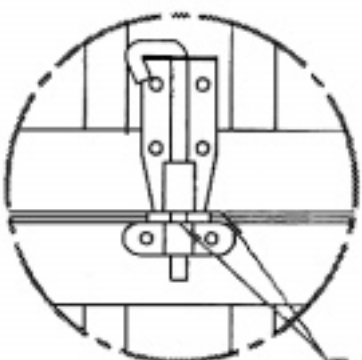
Location of the HDX Door:

step 1 - locate the hinges on the door first, at a spacing of 1490mm apart and 130mm from the top of the HDX door to the centreline of the top hinge. This is shown in the diagram. Holes are not pre-punched in the door so these holes will have to be manually drilled by the assembler. 2 screws are provided per side of each hinge.

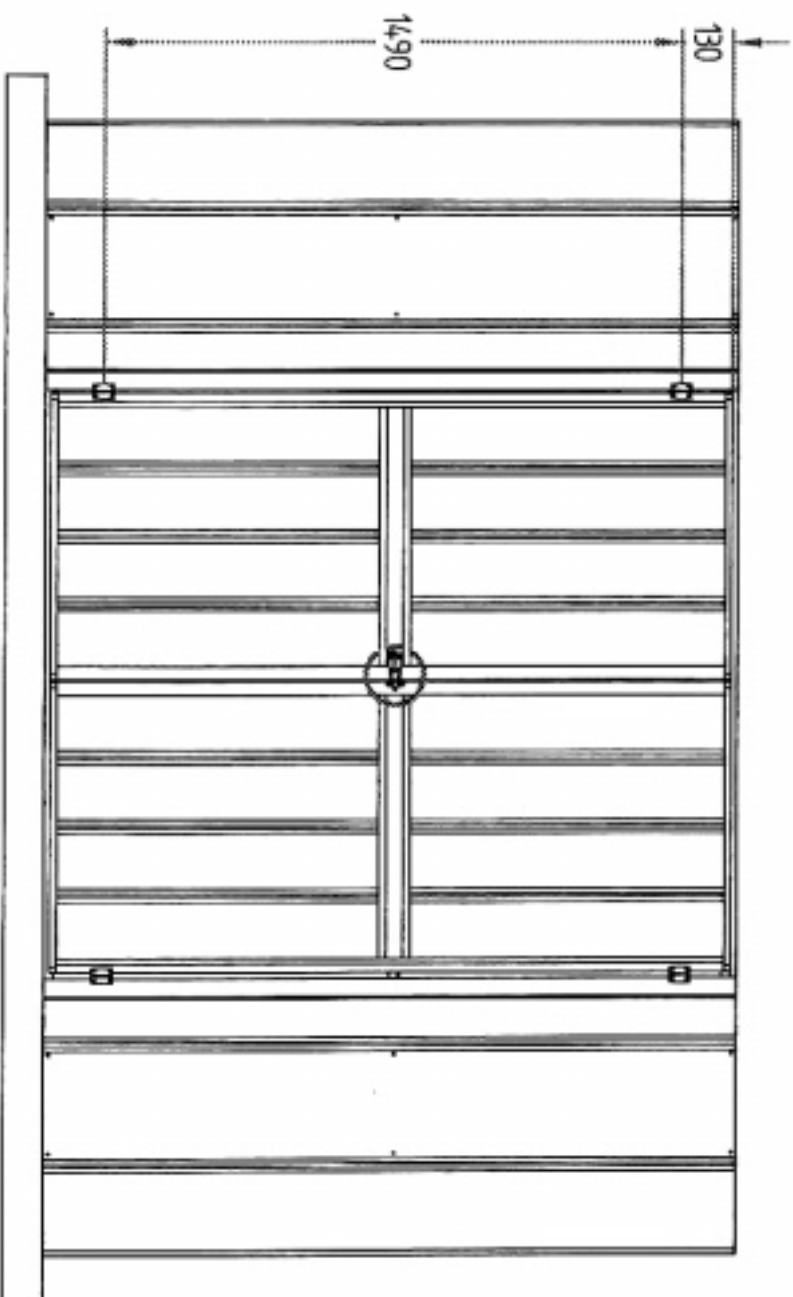
Step 2 - Locate the HDX door to the HD5. There should be a 4mm gap between the edge of the HD5 and the edge of the HDX door. The top of the HDX door should be fixed 15mm below the top of the wall and door jam panels. The holes for the hinges on the HDX door are not pre-punched and therefore must be manually drilled by the assembler.

Step 3 - Locating the padbolt shall be done on the centre support strip on the HDX door. The front edge of the padbolt plate should be aligned with the edge of the door and fixed to the door with 4 screws. The holes in the support strip are not pre-punched and must be manually drilled by the assembler before fixing the padbolt to the HDX door.

Step 4 - Locating the padbolt saddle to the support strip, ensure the edge of the saddle is mated to the edge of the support strip. Align saddle over extended padbolt, manually drill locating holes into the panel and use 2 screws to fix saddle.



Align to the edge of the HDX Door and the HD5



oldfields  
Treco

Double HDX Door  
Installation Guide